

Plastic square shape photoelectric sensors **PSR** series

Features

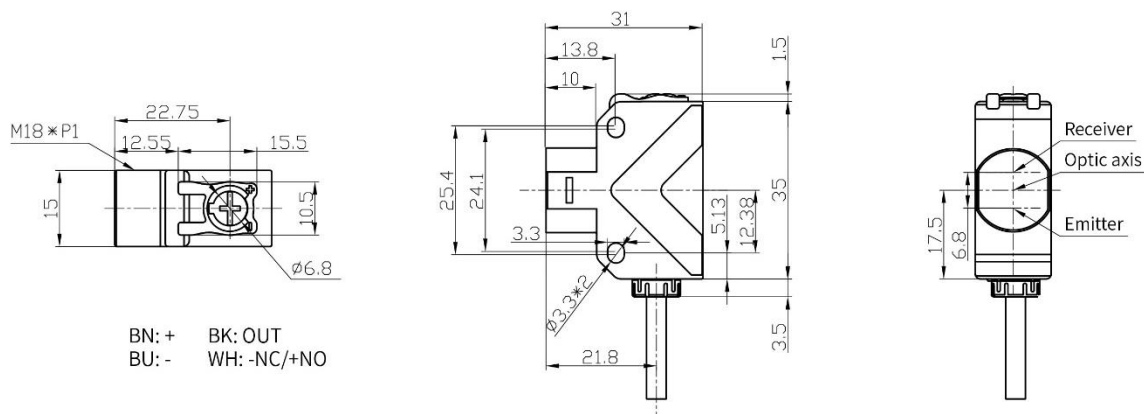
- ◆ 18mm threaded cylinder mounting or side mounting;
- ◆ IP67 suitable for severe environment;
- ◆ 360° bright LED status indicator;
- ◆ Visible light spots for easy installation and debugging.


Part number

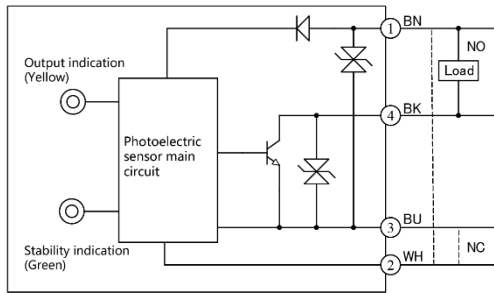
NPN	PSR-BC30DNBR	PNP	PSR-BC30DPBR
-----	--------------	-----	--------------

Technical specifications

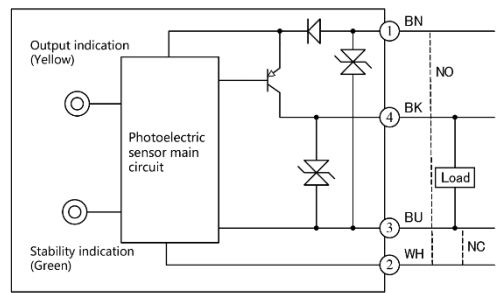
Detection type	Diffuse reflection	Anti-ambient light	Anti-ambient light interference $\geq 10,000lx$; Incandescent light interference $\geq 3,000lx$
Rated distance [Sn]	5...300mm	Indicator	Green light: power indication, stable indication (blinking means unstable signal) Yellow light: output indication, short circuit or overload indication (flashing)
Light source	Red light (660nm)	Ambient temperature	-15°C...60°C
Light spot	18*18mm@30cm	Ambient humidity	35...95%RH (non-condensing)
Dimensions	31*35*15mm	Voltage withstand	1000V/AC 50/60Hz 60s
Output	NO/NC	Insulation resistance	$\geq 50M\Omega(500VDC)$
Hysteresis range [%/Sr]	3...20%	Vibration resistance	10...50Hz (0.5mm)
Supply voltage	10...30VDC	Degree of protection	IP67
Load current	$\leq 200mA$	Housing material	ABS
Residual voltage	$\leq 1V$	Installation method	Composite installation
Distance adjustment	Single-turn potentiometer	Optical components	Plastic PMMA
Consumption current	$\leq 20mA$	Weight	52g
Circuit protection	Short-circuit, overload, reverse polarity and zener protection	Connection type	2m PVC cable
Response time	$\leq 1ms$		
NO/NC adjustment	NO: white line is connected to the positive electrode; NC: white line is connected to the negative electrode;		

Dimensions


Wiring diagram



NPN



PNP